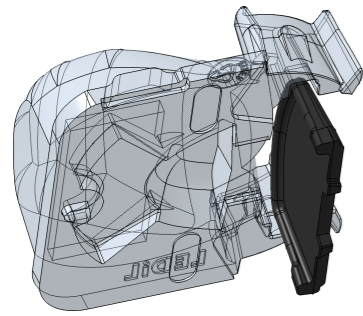
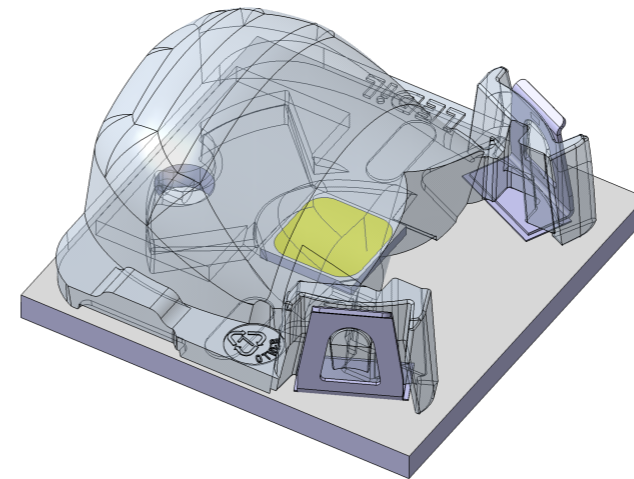
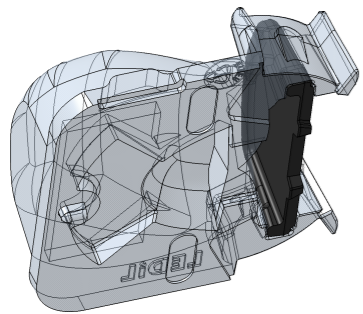


REV	DATE
001	02.03.2026

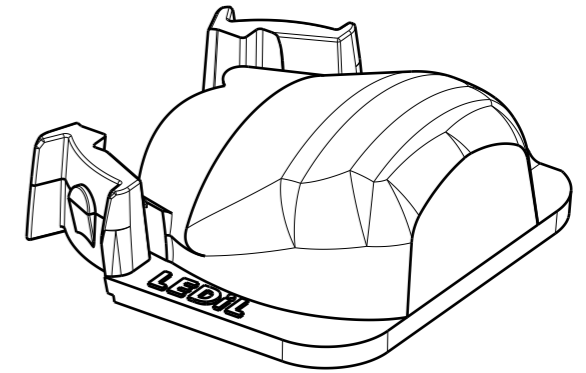


Attaching the shade

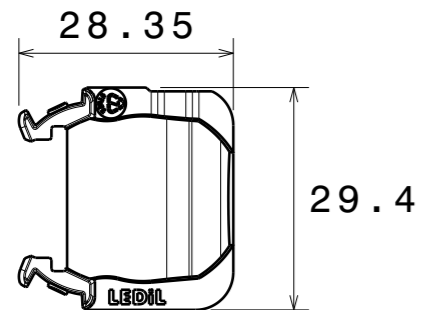
1. Align the shade with the grooves on the lens, pocketed side towards the front of the lens
2. Press the shade all the way to lock it in place
3. Check that no parts of the bottom of the shade part is sticking out above the level of the bottom of the lens flange



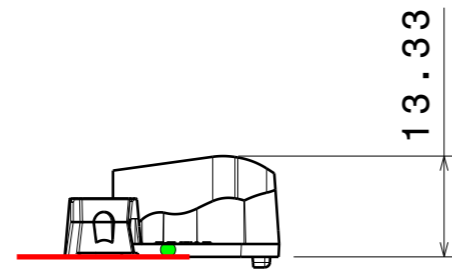
Isometric view
Scale: 2:1



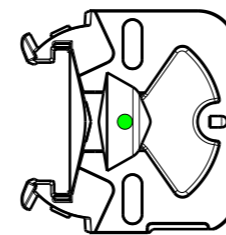
Isometric View
Scale: 2:1



Top View
Scale: 1:1



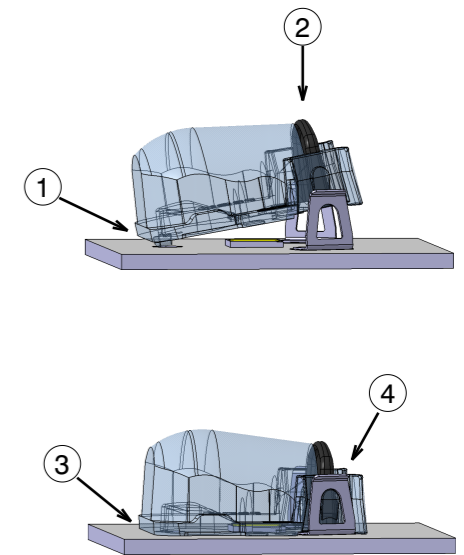
Side View
Scale: 1:1



Bottom View
Scale: 1:1

Placing the lens

1. Align the position pin with the hole
2. Press down until the clips lock
3. Check that there is no gap between lens and PCB
4. Check that the clips have locked properly



Notes

●	PCB or heatsink level.
●	LED location
	Ensure LED fitting from a product specific 3D model available from www.ledil.com
	For more details about installation please see LEDiL Installation Guide on www.ledil.com

PART	TYPE	MATERIAL	COLOR
L20568_SPORT-SQ-SC2-FT6-HT	lens	PMMA HT	clear

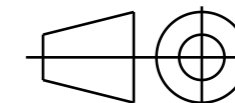
MECHANICAL DRAWING

PRODUCT
SPORT-SQ-SC2-FT6

LEDiL

Plastic moulding general tolerances according to DIN 16901-130 and applies if not otherwise shown in the drawing.

FIRST ANGLE PROJECTION:



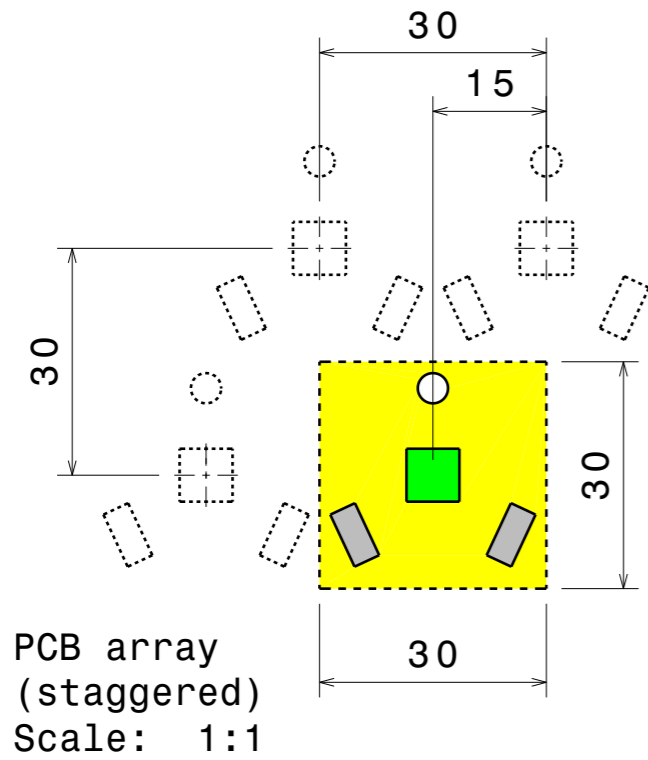
This drawing is the property of LEDiL Oy. It may not be copied or otherwise distributed without prior written permission from LEDiL Oy.

SCALE 1:1

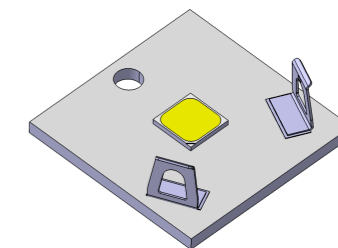
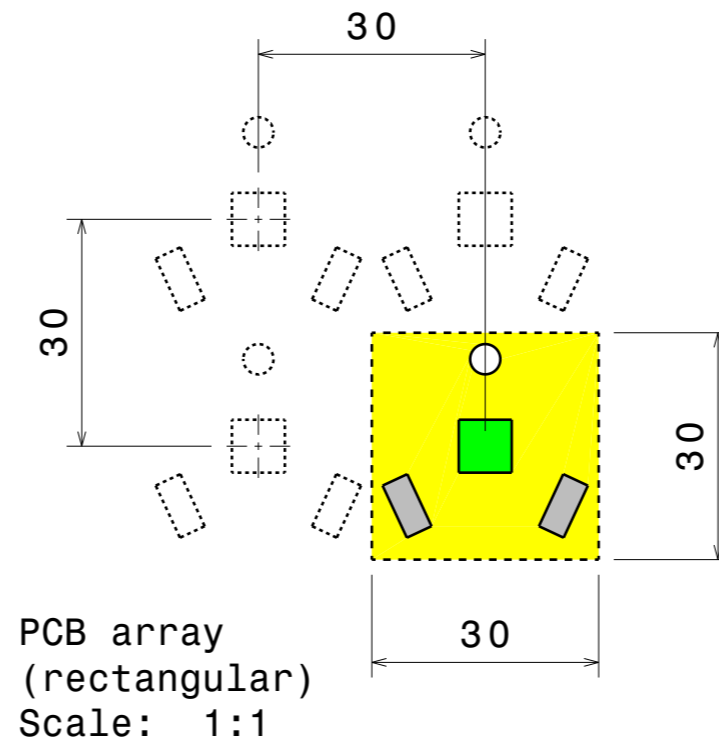
WEIGHT 5,23g

A3 SHEET 1/1

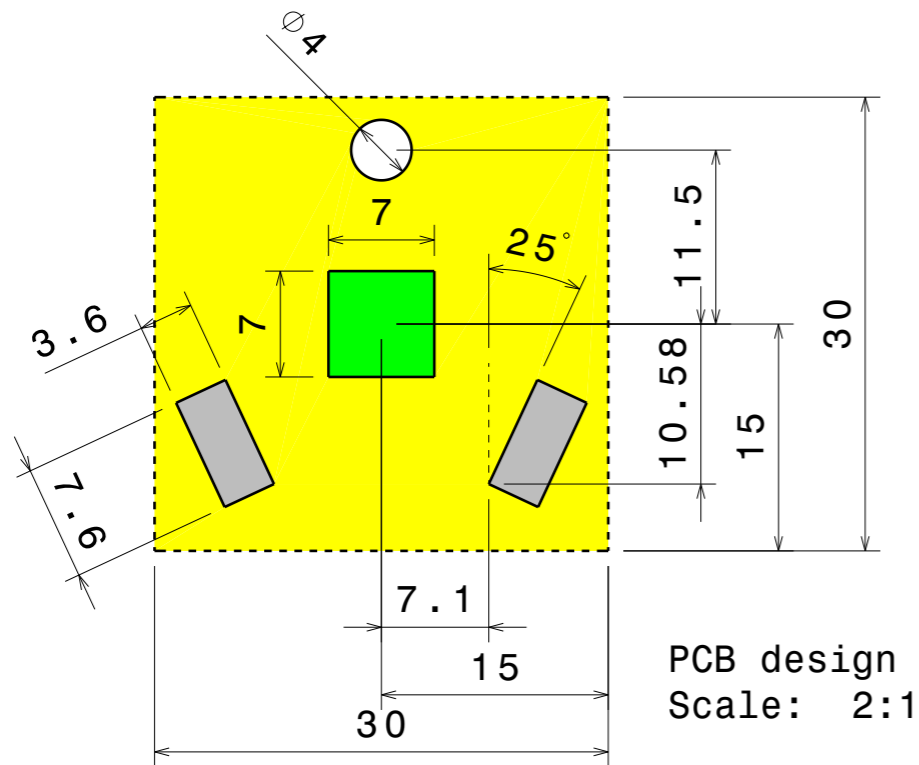
REV	DATE
001	02.03.2026



- LED position
- Solder clip pads
- Minimum space for the lens



Isometric view
Scale: 1:1



Solder clip stencil

- Paste aperture size: 6,7mm x 2,7mm (65%)
- Thickness: 150µm

Notes

●	PCB or heatsink level.
●	LED location
	Ensure LED fitting from a product specific 3D model available from www.ledil.com
	For more details about installation please see LEDiL Installation Guide on www.ledil.com

PART	TYPE	MATERIAL	COLOR
L20568_SPORT-SQ-SC2-FT6-HT	lens	PMMA HT	clear

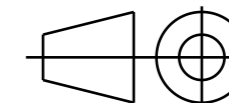
MECHANICAL DRAWING

PRODUCT
Sport-SQ-FT6-SC2

LEDiL

Plastic moulding general tolerances according to DIN 16901-130 and applies if not otherwise shown in the drawing.

FIRST ANGLE PROJECTION:



This drawing is the property of LEDiL Oy. It may not be copied or otherwise distributed without prior written permission from LEDiL Oy.

SCALE 1:1

WEIGHT 5,23g

A3 SHEET 1/1